

SITE MAP

MT-200 CABINET SPECIFICATIONS

CABINETS CONSTRUCTION:
3/4" PARTICLEBOARD WITH VGS HIGH PRESSURE LAMINATE EXTERIOR SURFACES & THERMOSET COVERED PARTICLEBOARD INTERIOR SURFACES.

BASE CABINETS:
SIDROG Edges, PAILS & BOTTOMS TO BE 3/4" THERMOSET COVERED PARTICLEBOARD. GLED & DOWELED. BACK PANELS TO BE 1/4" THERMOSET COVERED MDF INSERT INTO DADO WITH STARTLES AND HOTMELT SEALER ON SIDROG Edges AND BOTTOM. 3/4" MATERIAL ON TOP CONCEALED BEHIND BACK PANEL. EXTERIOR EXPOSED Edges BASES TO BE 3/4" EXTERIOR GRABROG Edge PLWOOD WITH CENTER SUPPORTS AND SHIPPED LOOSE.

WALL CABINETS:
SIDROG Edges TOP & BOTTOM TO BE 3/4" THERMOSET COVERED PARTICLEBOARD. GLED & DOWELED. BACK PANELS TO BE 1/4" THERMOSET COVERED MDF INSERT INTO DADO WITH STARTLES & HOTMELT SEALER SIDROG Edges AND BOTTOM. 3/4" MATERIAL ON TOP CONCEALED BEHIND BACK PANEL. EXTERIOR EXPOSED Edges BASES TO BE 3/4" EXTERIOR GRABROG Edge PLWOOD WITH CENTER SUPPORTS AND SHIPPED LOOSE.

ADJUSTABLE SHELVES:
SHELVES TO BE 3/4" THERMOSET COVERED PARTICLEBOARD. SHELVES TO BE MOUNTED ON SHELF CLIPS INSERTED IN HOLES IN CABINET SIDROG Edges 3/2MM O.C. FRONT EDGE OF SHELF TO HAVE 1MM PVC MATCHING EDGE TAPE.

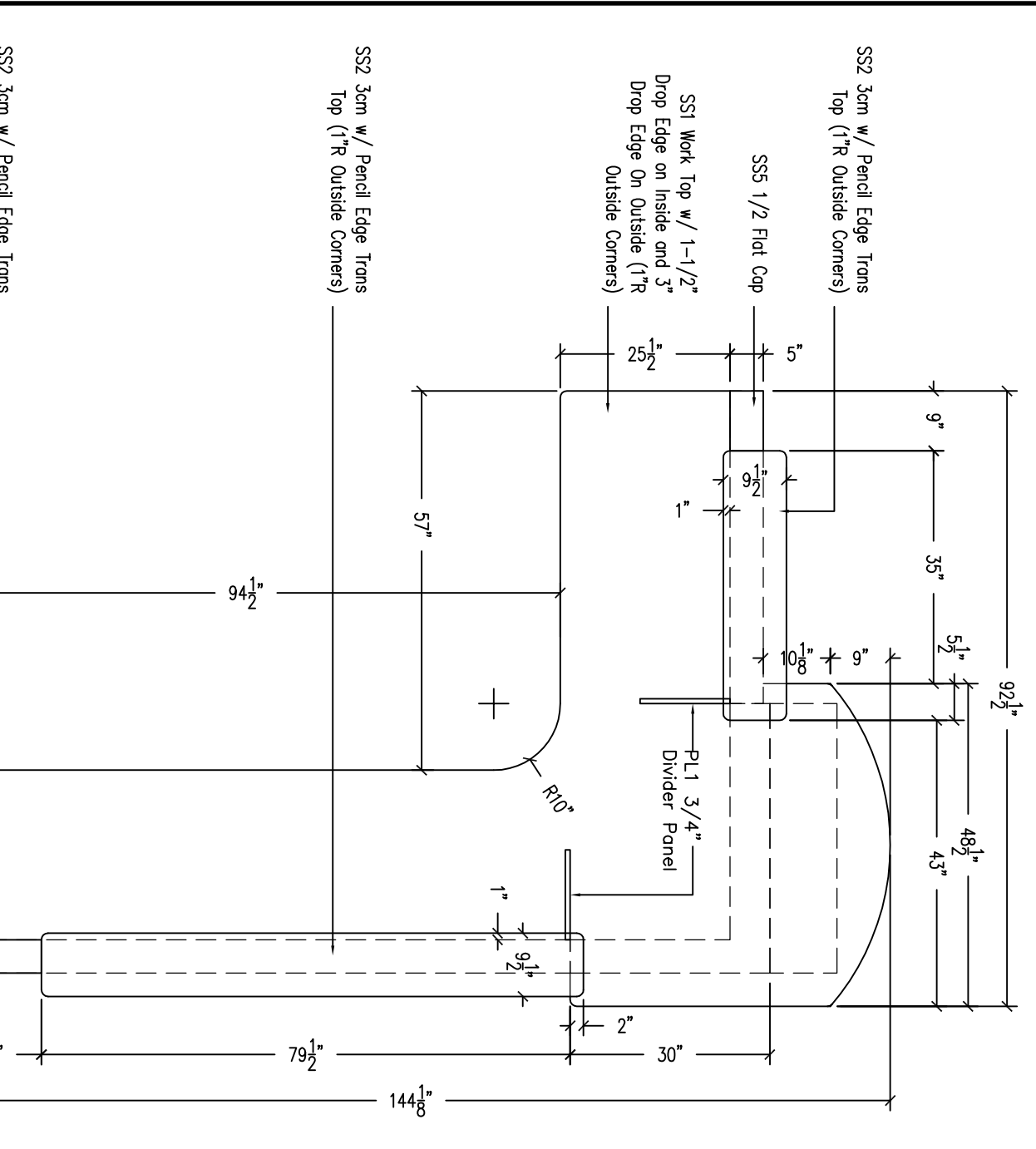
DOOR AND DRAWER FRONTS:
FACE OVERLAY CONSTRUCTION WITH VGS HIGH PRESSURE LAMINATE ON EXTERIOR FINISH SCHEDULE.

DRAWERS:
DRAWER BOX SIDROG Edges, FRONT & BACK TO BE 3/4" THERMOSET COVERED PARTICLEBOARD. DRAWER BOTTOM TO BE 1/4" THERMOSET COVERED MDF. BOTTOM TO BE SET INTO DADO ON FOUR SIDROG Edges WITH HOT MELT ADHESIVE ON BOTTOM.

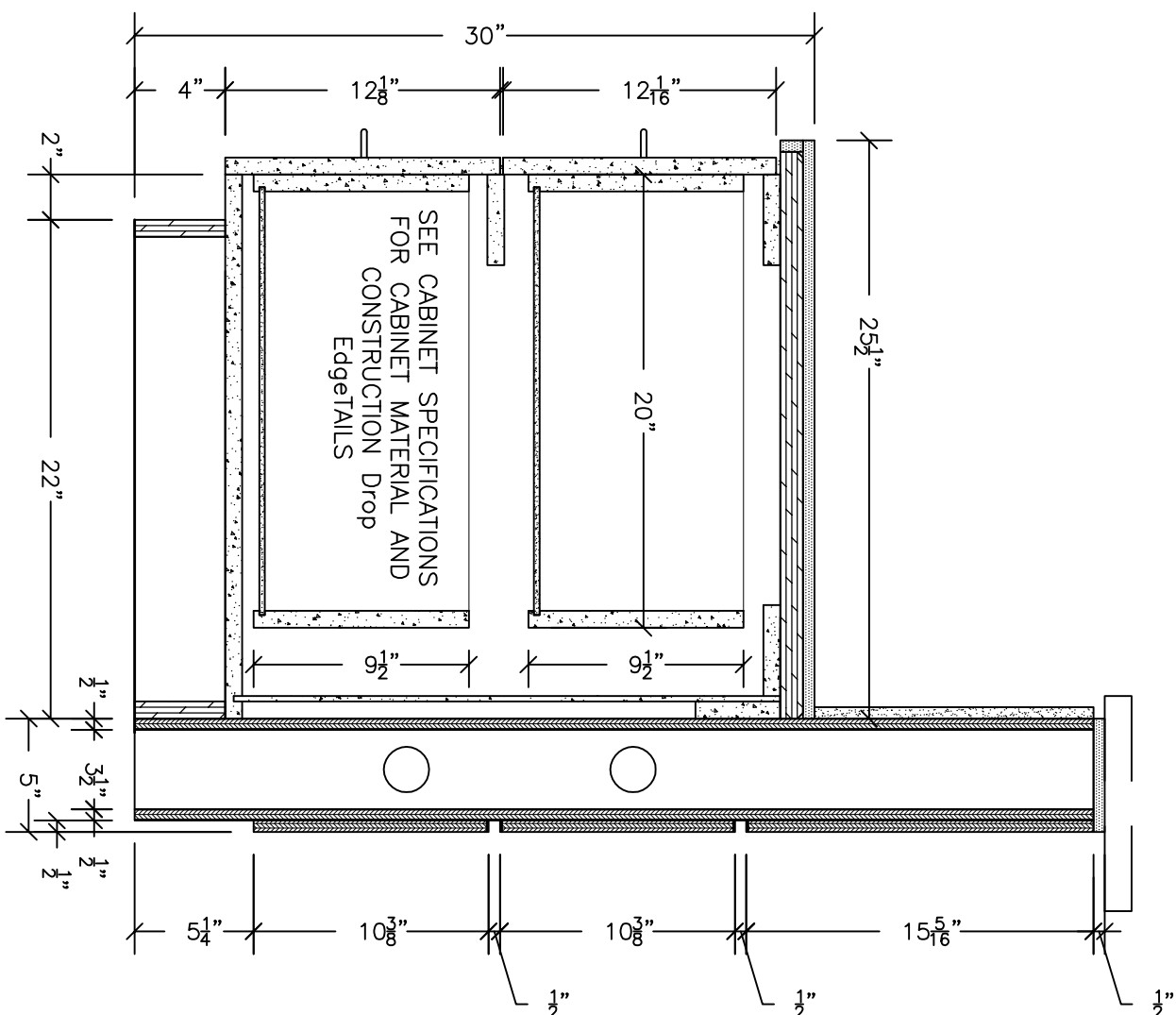
HINGES:
FULLY CONCEALED 120° SNAP ON WITH FULL ADJUSTMENTS. INSTITUTIONAL WRAP AROUND FIVE KNUCKLE HINGE.

DRAWER SLIDROG Edges:
CAPACITY WHITE EPOXY COATED WITH NYLON ROLLERS 3/4" EXTENSION, 100 LB. CAPACITY STEEL BALL BEARING FULL EXTENSION.

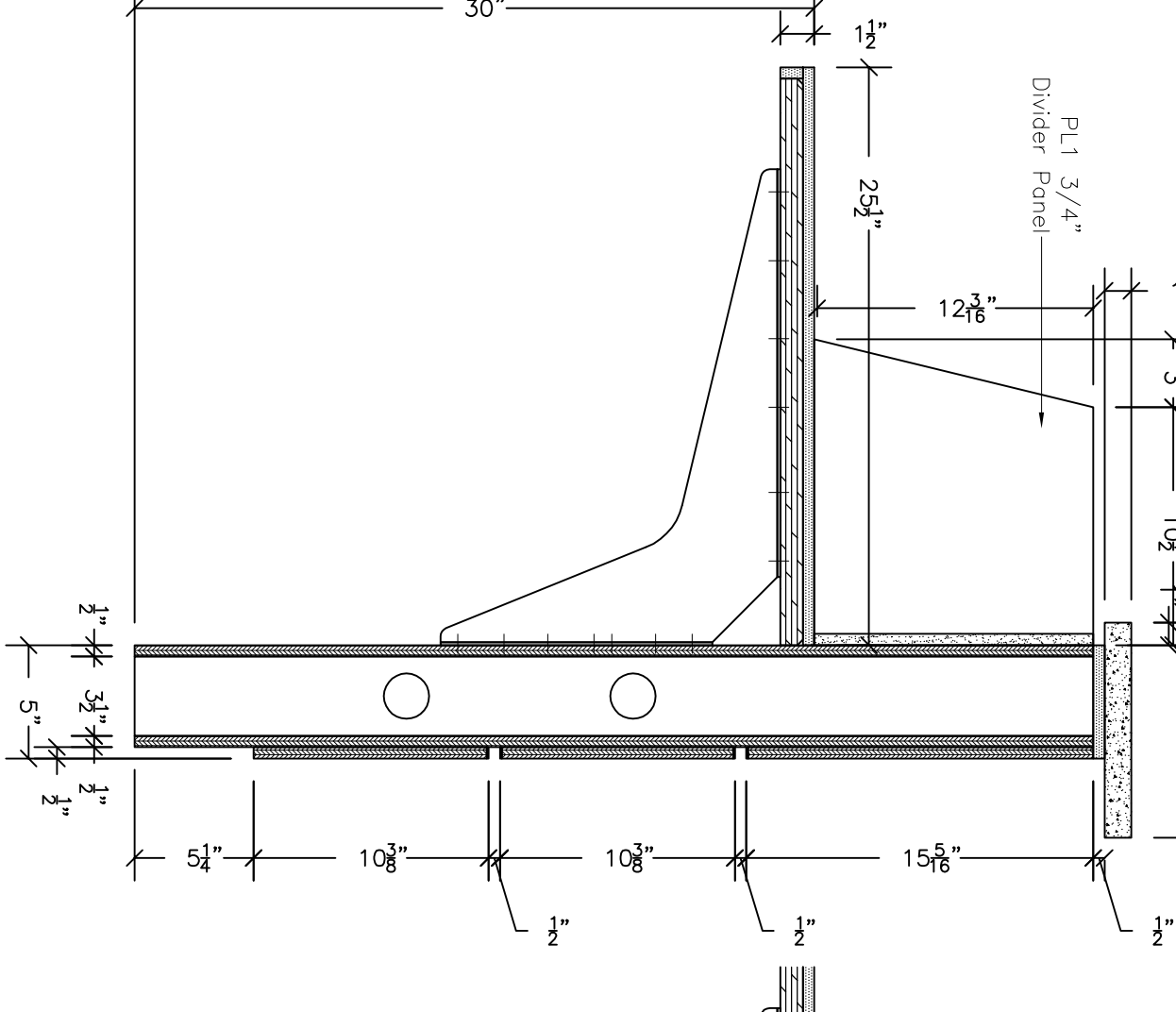
HANDLES:
4" WIRE PULLS IN POLISHED, BRUSHED OR DULL CHROME FINISH.



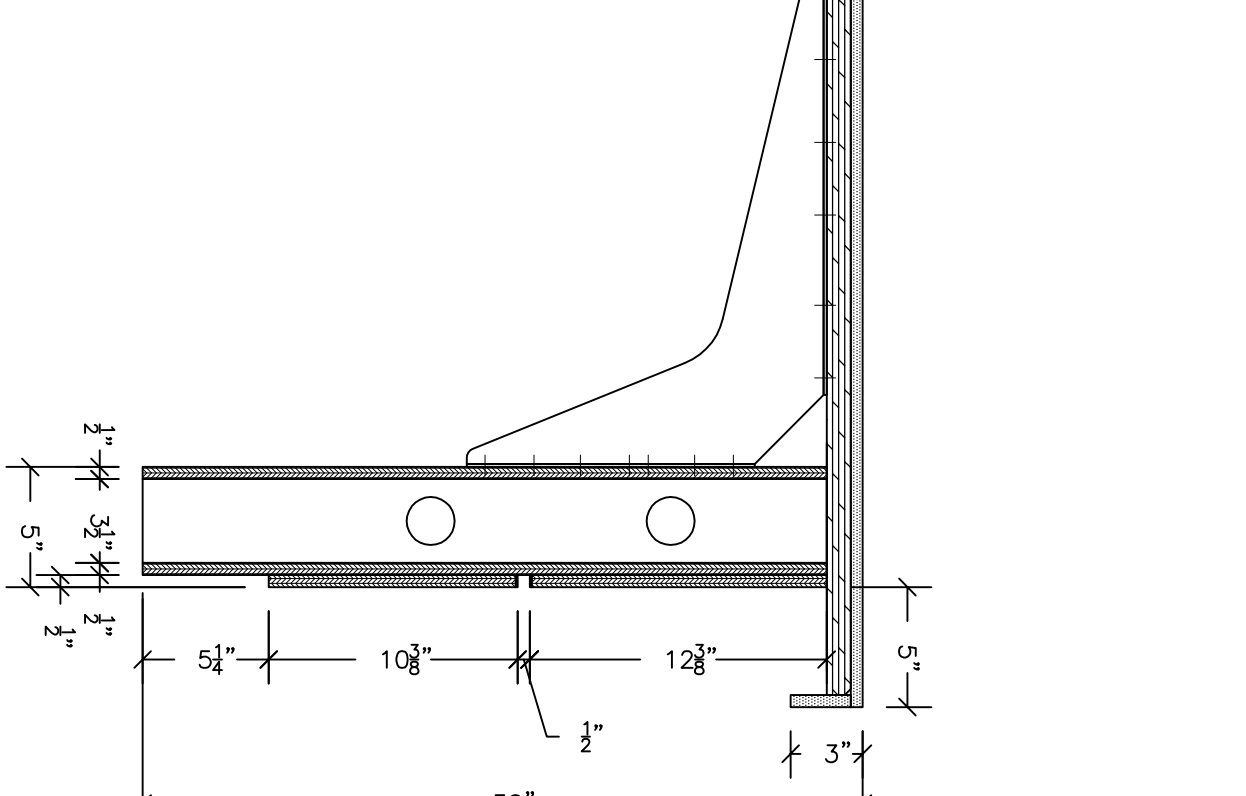
Info Desk Edge View
SCALE : 1/2" = 1' - 0"



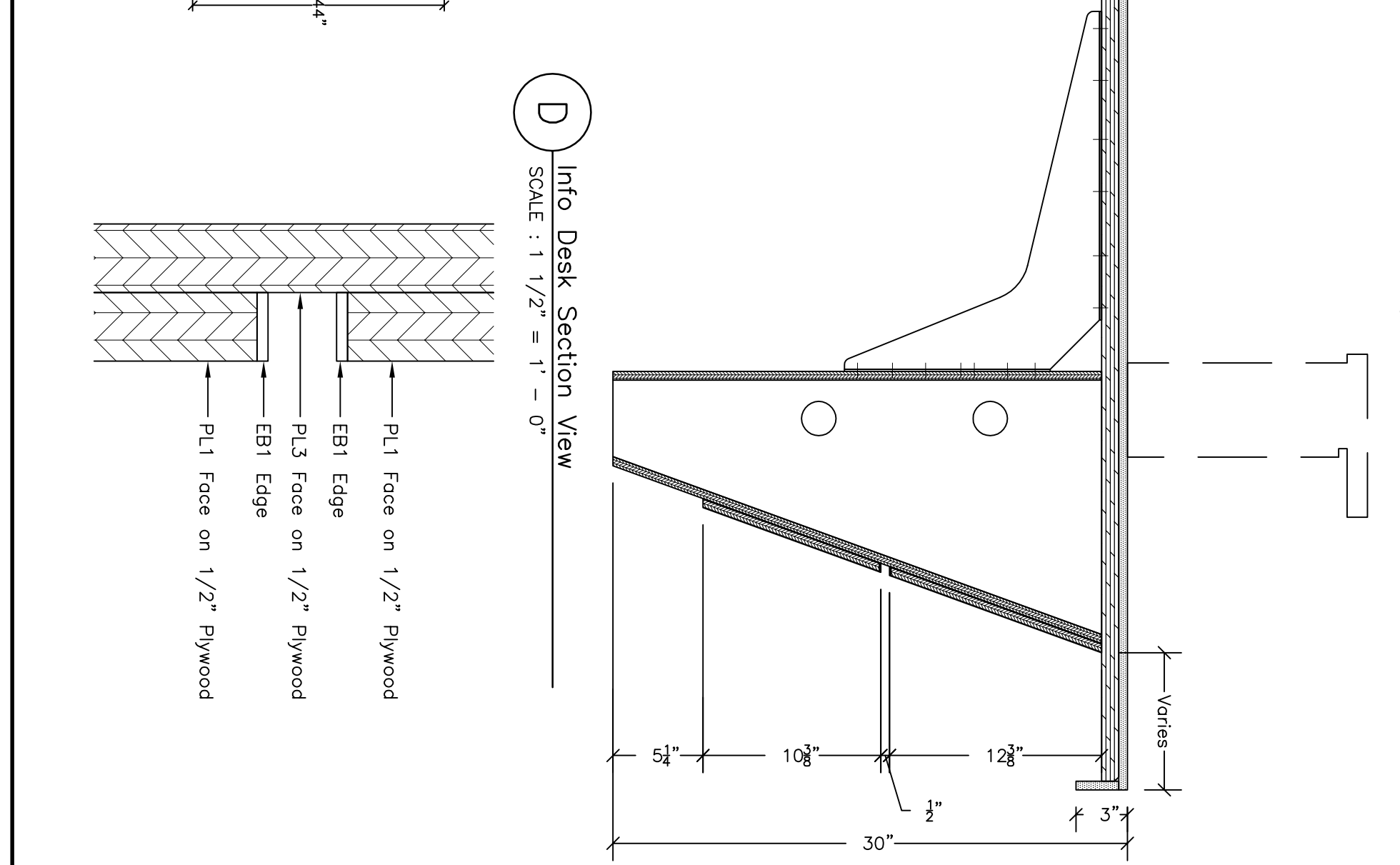
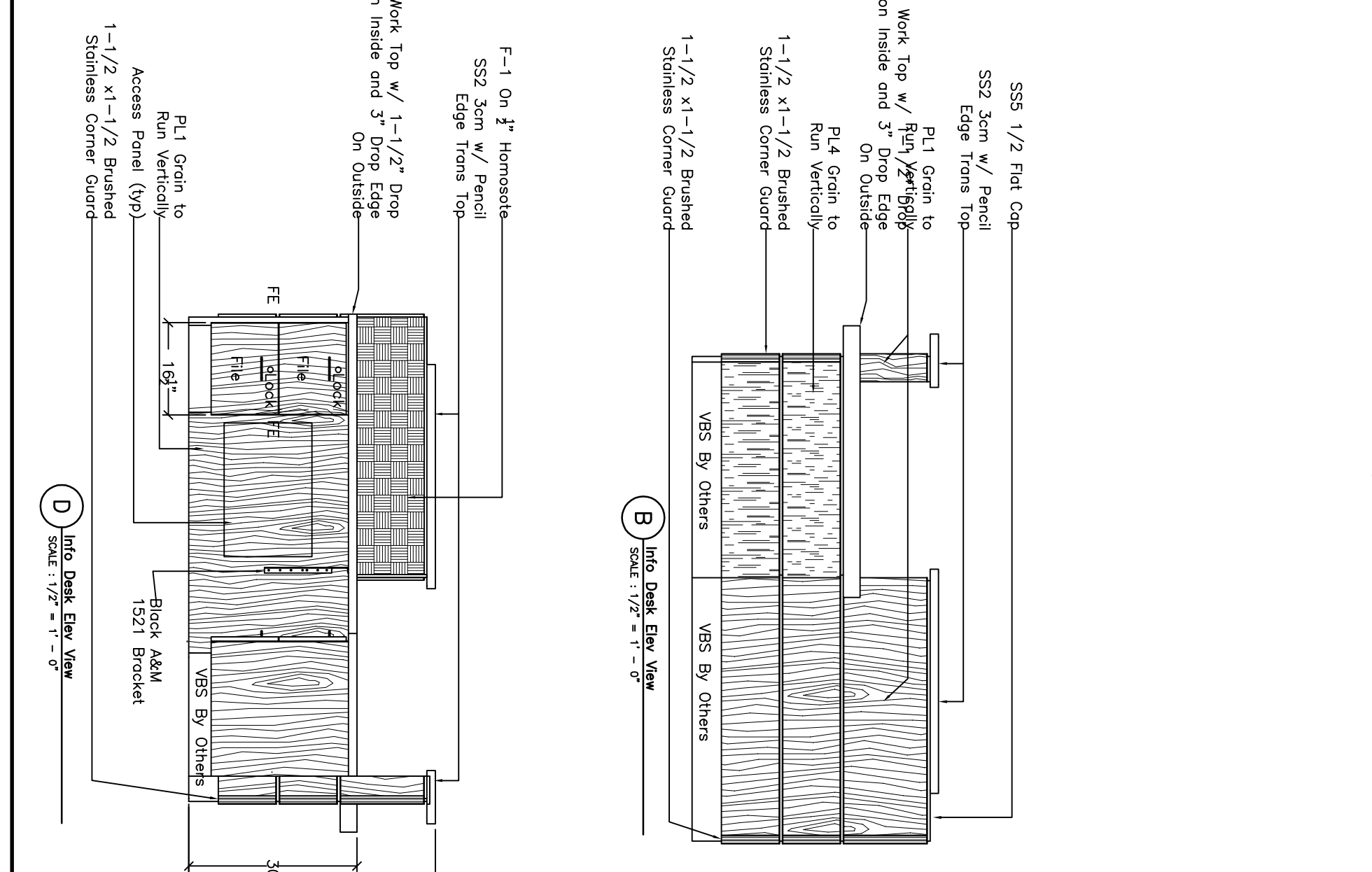
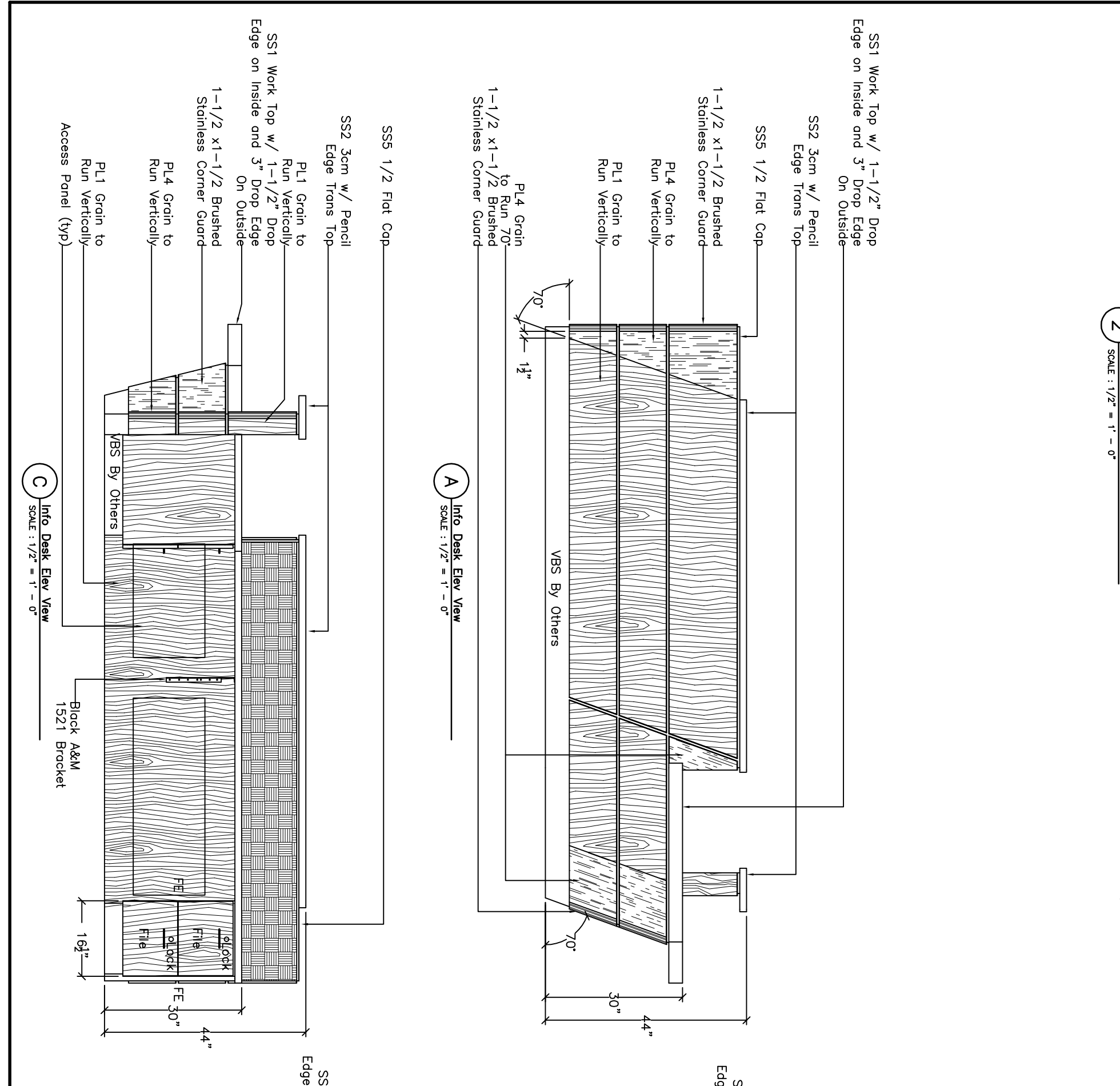
Info Desk Section View
SCALE : 1/2" = 1' - 0"



Info Desk Section View
SCALE : 1/2" = 1' - 0"



Info Desk Section View
SCALE : 1/2" = 1' - 0"



SOLID SURFACE COUNTERTOP SPECIFICATION

1 1/2" SOLID SURFACE WITH MATTE FINISH UNLESS OTHERWISE SPECIFIED. BUILD UP ON FRONT OF COUNTERTOP TO BE 1 1/2" UNLESS OTHERWISE SPECIFIED. 1" PLYWOOD SUBSTRATE TO BE APPLIED TO BOTTOM WITH 100% SILICON. BACK AND SIDROG Edge SPLASHES TO BE MADROG Edge OF 1/2" SOLID SURFACE UNLESS OTHERWISE SPECIFIED. W/ MATTE FINISH ON ALL EXPOSED SURFACES. SEE DROP Edges CALLS FOR BACK SPLASH HEIGHT. WHERE COUNTERTOP HAS APRON TO MADROG Edge OF 1/2" SOLID SURFACE WITH MATTE FINISH ON ALL EXPOSED AREAS. AND FRAME TO BE MADROG Edge OF 2 LAYERS OF 3/4" SHOP GRABROG Edge PLWOOD FOR ALL EXPOSED EDGE CORNERS TO BE ROUNDROG Edged OVER W/ 1/8" RADIUS UNLESS OTHERWISE SPECIFIED

ITEM #	DESCRIPTION	MANUFACTURER	COLOR NUMBER	NOTES
1	Drop Edge	ZENITH-SCS/C		
2	PLM Solid Fibre	Benetton		
3	100% Silicone	UNO/RO/BA/9		
4	100% Silicone	RO/BA/9		
5	Drop Edge	DRE/RO/BA/9		
6	Drop Edge	DRS/RO/BA/9		
7	Drop Edge	DRS/RO/BA/9		
8	Drop Edge	DRS/RO/BA/9		
9	Drop Edge	DRS/RO/BA/9		
10	Drop Edge	DRS/RO/BA/9		
11	Drop Edge	DRS/RO/BA/9		
12	Drop Edge	DRS/RO/BA/9		

Acrylic Panels

ITEM #	DESCRIPTION	MANUFACTURER	COLOR NUMBER
AP-1	3-FORM	VARIA ECOESINS ORGANICS "Fossil Leaf Random"	
AP-2	3-FORM	C3 COLOR "W/S Surf"	
AP-3	3-FORM	C3 COLOR "W/S Sprout"	
AP-4	3-FORM	C3 COLOR "W/S Curvy"	
AP-5	3-FORM	VARIA ECOESINS ORGANICS "fossil leaf lg green"	

MELAMINE

ITEM #	DESCRIPTION	MANUFACTURER	COLOR NUMBER
M-1	Panel/box	Oxford White - W811	
M-2	Panel/box	Whisnant	1102940 Urban Anigre
M-3	Panel/box	Whisnant	1028407 Cherry
M-4	Panel/box	Whisnant	Designer White D35440
M-5	Panel/box	Octocore Products	851 BRD POINT FEMVER

LAMINATE

ITEM #	DESCRIPTION	MANUFACTURER	COLOR NUMBER
L-1	Panel/box	Whisnant	1102940 Urban Anigre
L-2	Panel/box	Whisnant	1028407 Cherry
L-3	Panel/box	Whisnant	Designer White D35440
L-4	Panel/box	Whisnant	851 BRD POINT FEMVER

WOOD

ITEM #	DESCRIPTION	SPECIES	FINISH	MANUFACTURER	COLOR NUMBER
WD-1	Hard Maple	Transparent Finish			
WD-2	Hard Maple	Zinn	Doeklen-Woodtone		2002 White
WD-3	Hard Maple	Zinn	Doeklen-Woodtone		2002 White
WD-4	Hard Maple	Zinn	Doeklen-Woodtone		2002 White
WD-5	Hard Maple	Zinn	Doeklen-Woodtone		2002 White

FABRIC

ITEM #	DESCRIPTION	MANUFACTURER	COLOR NUMBER
F-1	Guilford	TBD	
F-2	Guilford	Dupont Color	Buffed Beach
F-3	Guilford	Dupont Color	ASTISS BLACK
F-4	Guilford	Dupont Color	VELA BROWN
F-5	Guilford	Dupont Color	Which Hazel

SOLID SURFACE

ITEM #	DESCRIPTION	MANUFACTURER	COLOR NUMBER
SS-1	1/2 Flat Cap	SS	Buffed Beach
SS-2	3cm w/ Pencil Edge Trim Top	SS	ASTISS BLACK
SS-3	3cm w/ Pencil Edge Trim Top	SS	VELA BROWN
SS-4	3cm w/ Pencil Edge Trim Top	SS	Which Hazel
SS-5	1/2 Flat Cap	SS	Designer White

HARDWARE

ITEM #	DESCRIPTION	MANUFACTURER	SIZE	NOTES
1	Drop Edge	ZENITH-SCS/C		
2	PLM Solid Fibre	Benetton		
3	100% Silicone	UNO/RO/BA/9		
4	100% Silicone	RO/BA/9		
5	Drop Edge	DRE/RO/BA/9		
6	Drop Edge	DRS/RO/BA/9		
7	Drop Edge	DRS/RO/BA/9		
8	Drop Edge	DRS/RO/BA/9		
9	Drop Edge	DRS/RO/BA/9		
10	Drop Edge	DRS/RO/BA/9		
11	Drop Edge	DRS/RO/BA/9		
12	Drop Edge	DRS/RO/BA/9		

CONTRACTOR: Messer Construction
3705 BUSINESS PARK DR
COLUMBUS, OH 43204
PH # 614.275.0141
FAX # 614.275.0145

ARCHITECT: Trinity Health Group

Information Desk Phase Number 1

GRANT MEDICAL LOBBY

111 SOUTH GRANT AVE.
COLUMBUS, OHIO 43215

QCP PROJECT #

DATE DRAWN: 05-06-2011
DRAWN & CHECKED BY: AOB
SHEET # 1 OF 3

AWI ARCHITECTURAL WOODWORK INSTITUTE

DATE DRAWN: 05-06-2011
DRAWN & CHECKED BY: AOB
PROJECT #: 11-505
SHEET #: 1 OF 3

APPROVAL STAMP HERE:

ITEM / VIEW DESCRIPTION: Info Desk Edge View

Z:\QCP\Info Desk Edge View.dwg

GRADrop Edge REQUIREMENTS PLAM CABINETS CUSTOM PREMIUM
GRADrop Edge REQUIREMENTS WOOD CABINETS CUSTOM PREMIUM